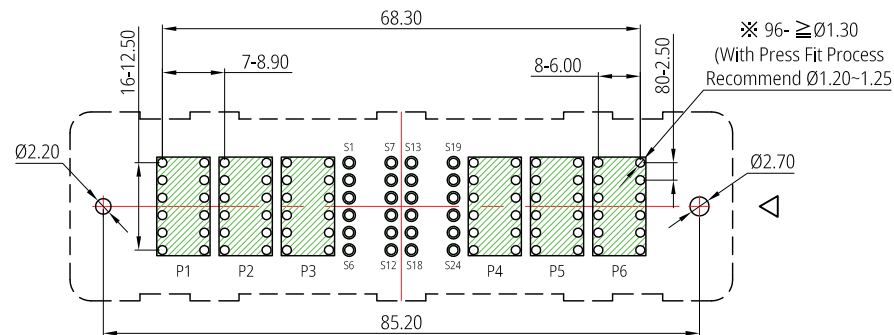
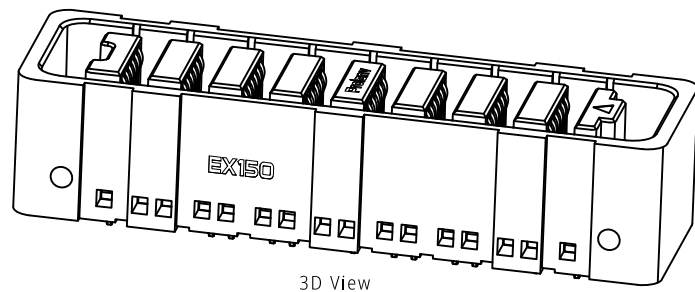
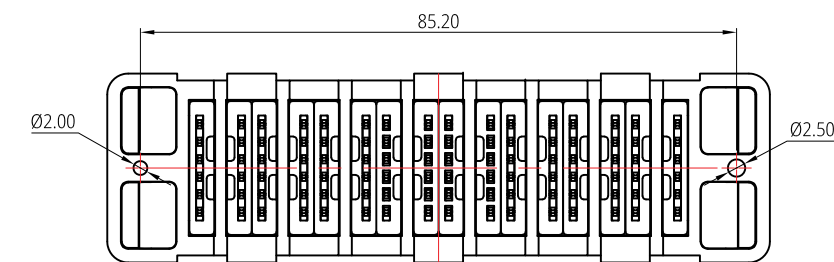
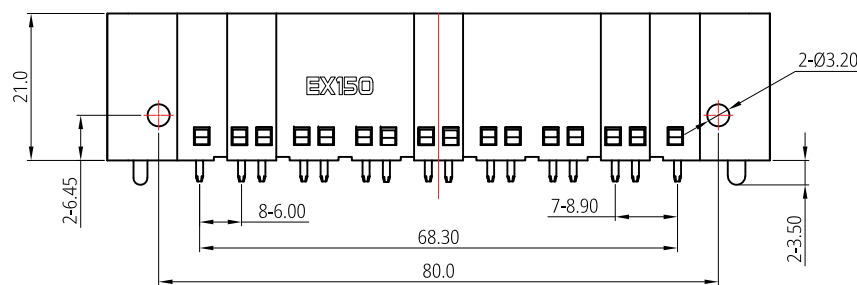
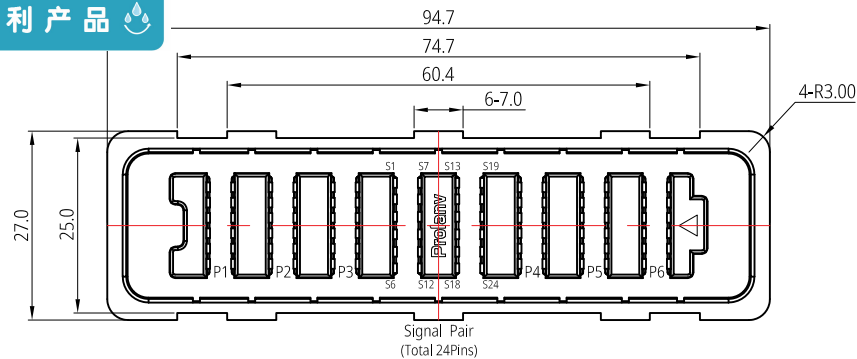


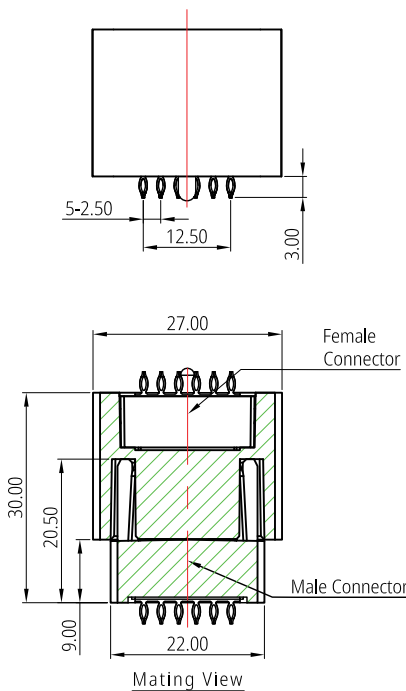
**Patented product**  
**专利产品**



Recommended P.C.B layout (Top View)  
 Tolerance ±0.05

Notes:

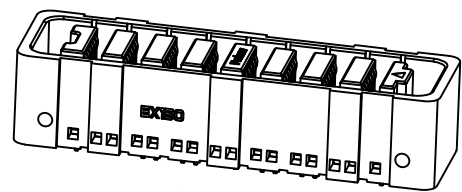
- Material Specification
  - Housing: High Temperature Thermoplastic. UL94 V-0, Black.
  - Contact: High Conductivity Copper Alloy.
- Plating Specification:
  - Contact: Gold plating on Contact area, matte Tin 80µ" min. on Tails, and 50µ" min, Nickel overall.
- Electrical performance
  - Voltage Rating: 600v DC/250v AC/Power Blade, 120v AC/DC/Signal Pin.
  - Current Rating: 150A Max./Per Power Blade, 7.5A Max./Per Signal Pin.
  - LLCR: initial 0.5mΩ max., finished 1.0mΩ maximum change.(per Power Blade ) initial 10mΩ max., finished 20mΩ max.(per Signal Pin )
  - Dielectric Withstanding Voltage: 2000v DC rms/Power Blade, 500v DC rms/Signal Pin.
  - Insulation Resistance: 5000 MΩ min/power blade.
- Mechanical Performance:
  - Insertion force: 24.5N (2.5kgf) max./Per Pair.
  - Withdrawal force: 4.9N (0.5kgf) min./Per Pair.
  - Durability life: 5,000 cycles max.
- IR Reflow: The peak temperature on board shall be maintained for 10 seconds at 260±5°C.
- Operating Temperature Range: -40~125°C.
- All parts RoHS and Reach compliant.
- ※ See SPS-PDC-08 for Terminal details.



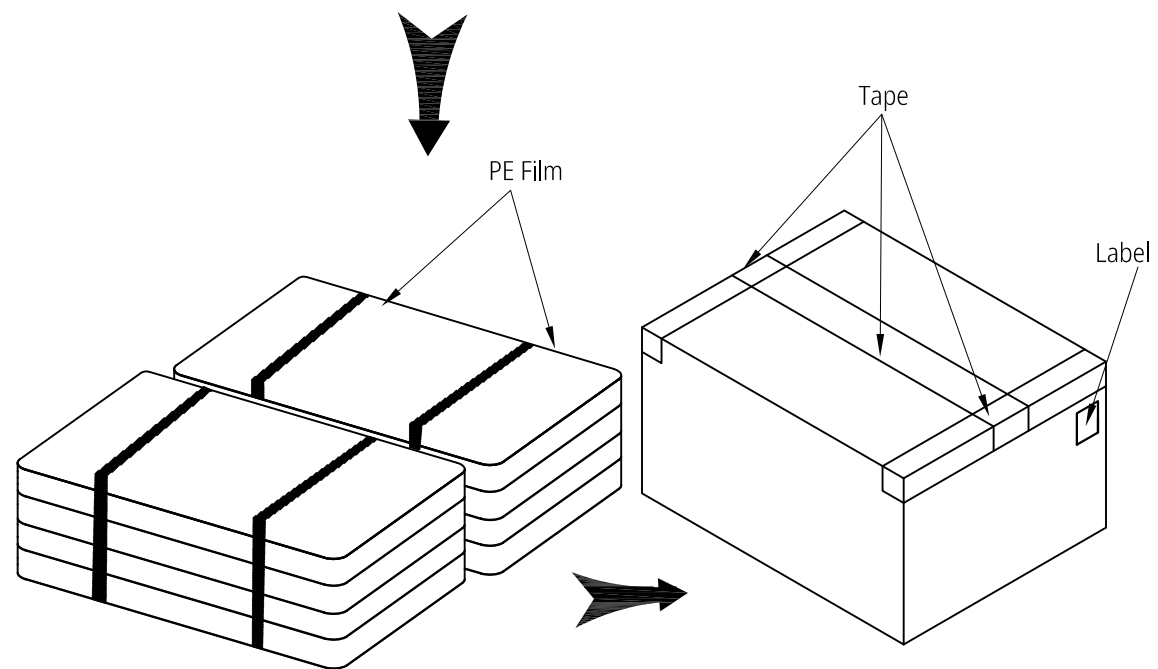
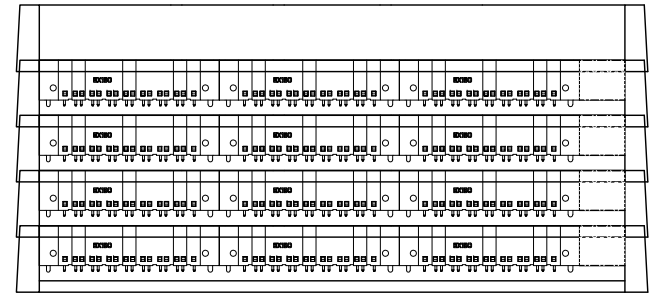
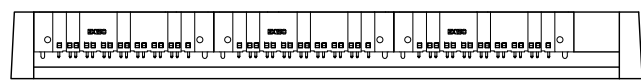
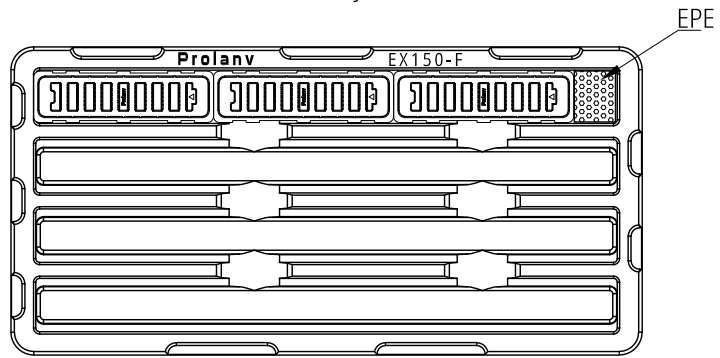
THIS DRAWING AND SPECIFICATION ARE THE PROPERTY OF Prolanv AND SHALL BE COPIED OR USED WITHOUT Prolanv'S PERMISSION

GENERAL TOLERANCES UNLESS SPECIFIED		PART NO. PDC3810F0001	<b>Prolanv®</b>						
X± 0.30	X.°± 3°								
XX± 0.20	.X°± 2°	APPROVED BY Henry	TITLE EX150   blade Power Female 6PW+24S, Straight Type						
XXX± 0.10	.XX°± 1°	CHECKED BY Poplar	DWG NO. PDC38-10						
SIZE A4	UNITS mm[only]	DRAWN BY Kaylee	<table border="1"> <tr> <td rowspan="2">SHEET</td> <td>SCALE</td> <td>REV</td> </tr> <tr> <td>1 / 2</td> <td>1:1</td> <td>A3</td> </tr> </table>	SHEET	SCALE	REV	1 / 2	1:1	A3
SHEET	SCALE	REV							
	1 / 2	1:1	A3						

Optimized version | Modular waterproof  
 升级版. 模块化防水结构



12 Pcs/Tray



- Notes:
1. Q'ty: 12 Pcs/Tray, 2x4 Layers=96 Pcs/Carton.
  2. Tray Pallet size: 332\*162mm.
  3. Carton size: 350\*350\*155mm.

THIS DRAWING AND SPECIFICATION ARE THE PROPERTY OF Prolanv AND SHALL NOT BE COPIED OR USED WITHOUT Prolanv PERMISSION	GENERAL TOLERANCES UNLESS SPECIFIED		PART NO.		<b>Prolanv</b> <sup>®</sup>						
	X± 0.30	X°± 3°	PDC3810F0001								
	XX± 0.20	X°± 2°	APPROVED BY		TITLE						
	XXX± 0.05	XX°± 1°	Henry		EX150   blade Power Female 4PW+24S, Packaging						
	CUSTOMER DRAWING		CHECKED BY		DWG NO.						
SIZE		DRAWN BY		<table border="1" style="display: inline-table; margin-left: 20px;"> <tr> <td>SHEET</td> <td>SCALE</td> <td>REV</td> </tr> <tr> <td>2 / 2</td> <td>N/A</td> <td>A2</td> </tr> </table>		SHEET	SCALE	REV	2 / 2	N/A	A2
SHEET	SCALE	REV									
2 / 2	N/A	A2									
A4	mm[only]	Kaylee									