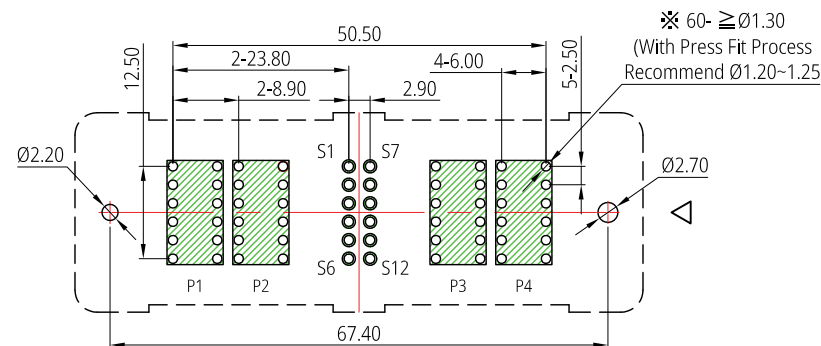
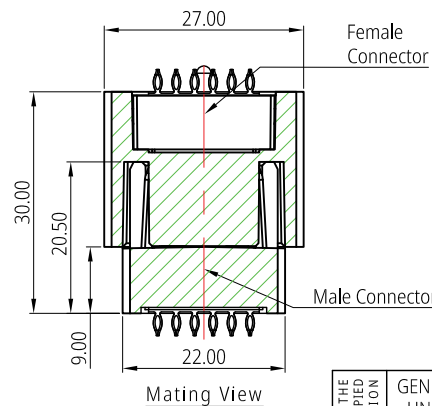
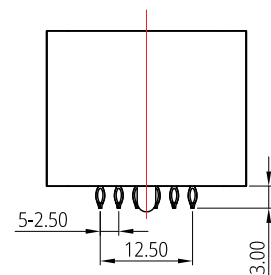
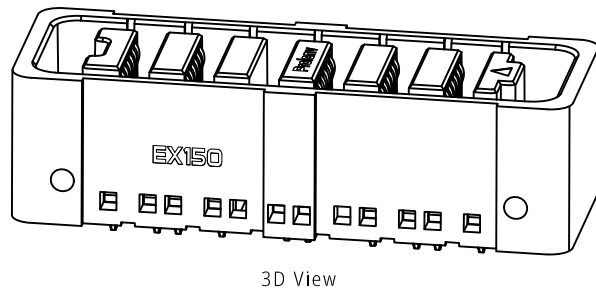
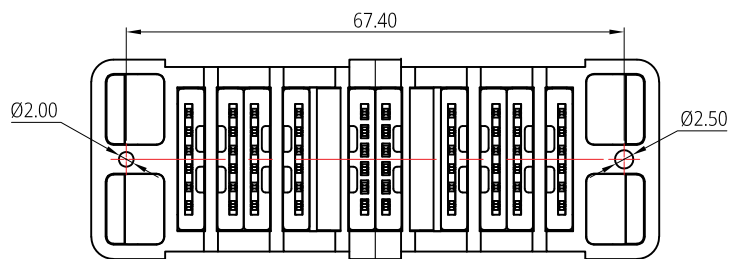
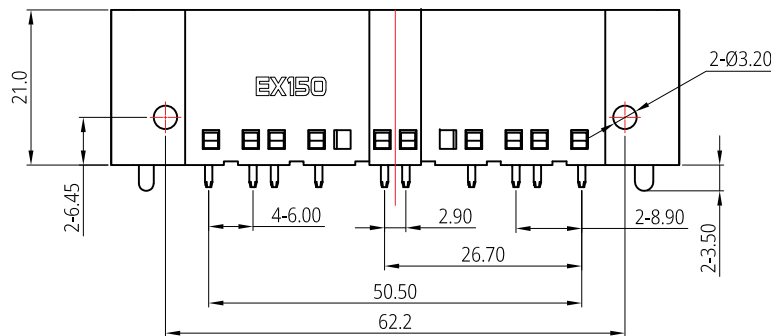
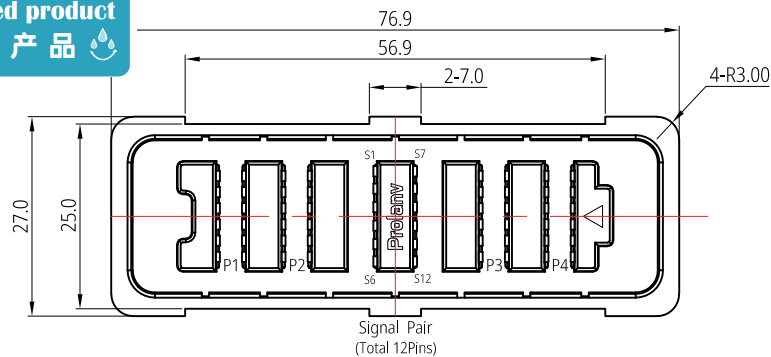


Patented product
专利产品



Recommended P.C.B layout (Top View)
Tolerance ±0.05

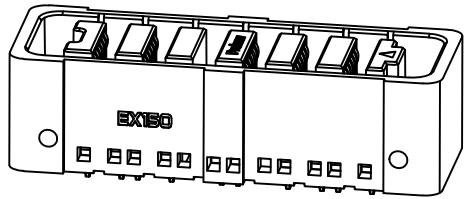
Notes:

- Material Specification
 - Housing: High Temperature Thermoplastic. UL94 V-0, Black.
 - Contact: High Conductivity Copper Alloy.
- Plating Specification:
 - Contact: Gold plating on Contact area, matte Tin 80µ" min. on Tails, and 50µ" min. Nickel overall.
- Electrical performance
 - Voltage Rating: 600v DC/250v AC/Power Blade, 120v AC/DC/Signal Pin.
 - Current Rating: 150A Max./Per Power Blade, 7.5A Max./Per Signal Pin.
 - LLCR: initial 0.5mΩ max., finished 1.0mΩ maximum change.(per Power Blade) initial 10mΩ max., finished 20mΩ max.(per Signal Pin)
 - Dielectric Withstanding Voltage: 2000v DC rms/Power Blade, 500v DC rms/Signal Pin.
 - Insulation Resistance: 5000 MΩ min/power blade.
- Mechanical Performance:
 - Insertion force: 24.5N (2.5kgf) max./Per Pair.
 - Withdrawal force: 4.9N (0.5kgf) min./Per Pair.
 - Durability life: 5,000 cycles max.
- IR Reflow: The peak temperature on board shall be maintained for 10 seconds at 260±5°C.
- Operating Temperature Range: -40~125°C.
- All parts RoHS and Reach compliant.
- ※ See SPS-PDC-08 for Terminal details.

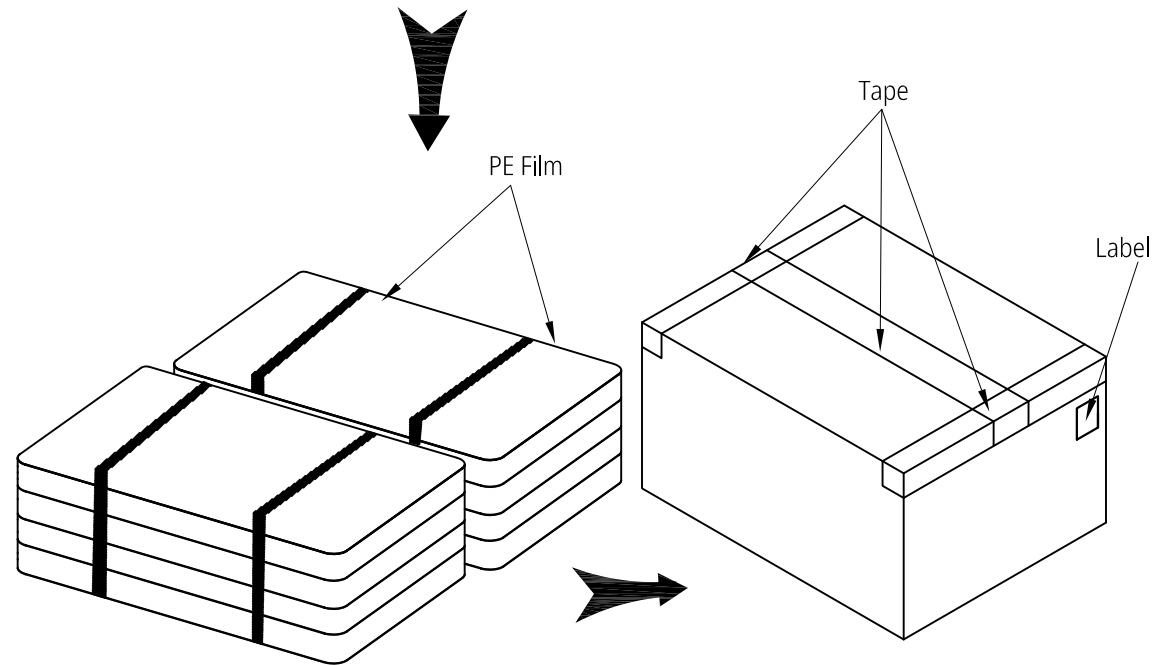
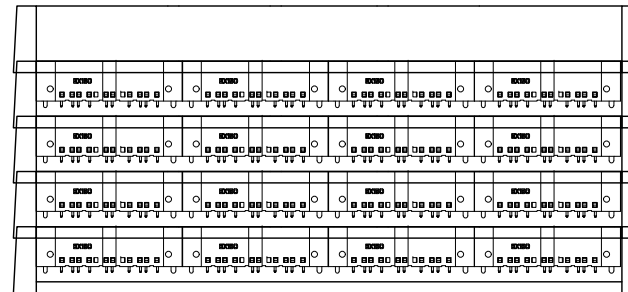
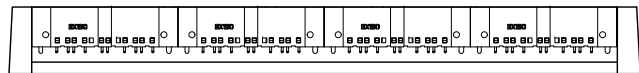
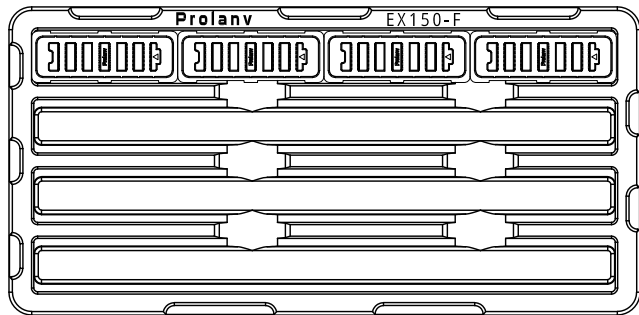
THIS DRAWING AND SPECIFICATION ARE THE PROPERTY OF Prolanv AND SHALL BE COPIED OR USED WITHOUT Prolanv PERMISSION

GENERAL TOLERANCES UNLESS SPECIFIED		PART NO.		Prolanv®		
X± 0.30	X°± 3°	PDC3410F0002				
XX± 0.20	.X°± 2°	APPROVED BY	TITLE			
XXX± 0.10	.XX°± 1°	Henry	EX150 blade Power Female 4PW+12S, Straight type			
CUSTOMER DRAWING		CHECKED BY	DWG NO.			
		Poplar	PDC34-20			
SIZE	UNITS	DRAWN BY	SHEET			
A4	mm[only]	Kaylee	SCALE			
			REV			
			1 / 2			
			1:1			
			A3			

Optimized version | Modular waterproof
升级版本. 模组化防水结构

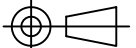


16Pcs/Tray



Notes:

1. Q'ty: 16 Pcs/Tray, 2x4 Layers=128 Pcs/Carton.
2. Tray Pallet size: 332*162mm.
3. Carton size: 350*350*155mm.

THIS DRAWING AND SPECIFICATION ARE THE PROPERTY OF Prolanv AND SHALL NOT BE COPIED OR USED WITHOUT Prolanv PERMISSION	GENERAL TOLERANCES UNLESS SPECIFIED		PART NO.		Prolanv [®]		
	X± 0.30	X°± 3°	PDC3410F0002				
	XX± 0.20	X°± 2°	APPROVED BY		TITLE		
	XXX± 0.05	XX°± 1°	Harry		EX150 blade Power Female 4PW+12S, Packaging		
	CUSTOMER DRAWING		CHECKED BY		DWG NO.		
			Poplar		PDC34-20		
SIZE	UNITS	DRAWN BY			SHEET	SCALE	REV
A4	mm[only]	Kaylee			2 / 2	N/A	A2